

## 4A 700V N-channel Enhancement Mode Power MOSFET

### 1 Description

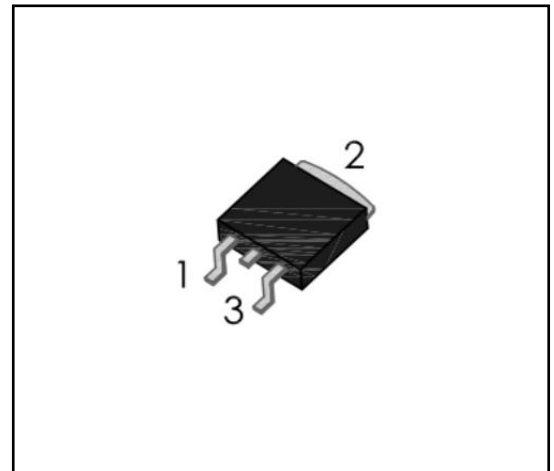
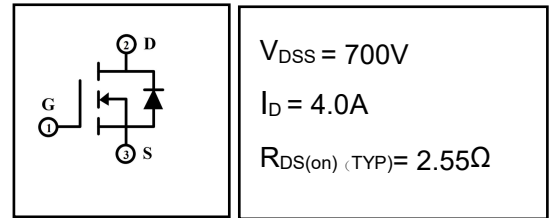
These N-channel enhanced vdmofets, is obtained by the self-aligned planar technology which reduce the conduction loss, improve switching performance and enhance the avalanche energy. Which accords with the RoHS standard.

### 2 Features

- Fast switching
- ESD improved capability
- Low on resistance( $R_{DS(on)} \leq 3.1\Omega$ )
- Low gate charge(Typ: 12.7nC)
- Low reverse transfer capacitances(Typ: 2.7pF)
- 100% single pulse avalanche energy test
- 100%  $\Delta V_{DS}$  test

### 3 Applications

- Used in various power switching circuit for system miniaturization and higher efficiency.
- Power switch circuit of electron ballast and adaptor.



## 4 Electrical Characteristics

### 4.1 Absolute Maximum Ratings (Tc=25°C, unless otherwise noted)

PARAMETER	SYMBOL	VALUE	UNIT
Drain-Source Voltage	$V_{DS}$	700	V
Gate-Source Voltage	$V_{GS}$	$\pm 30$	V
Drain Current(continuous) <sup>(Note 3)</sup>	$I_D$	4	A
Drain Current(continuous)(T=100°C) <sup>(Note 3)</sup>	$I_D$	2.5	A
Drain Current(Pulsed)	$I_{DM}$	16	A
Single Pulse Avalanche Energy <sup>(Note 4)</sup>	$E_{AS}$	190	mJ
Derating Factor above	$T_a = 25^\circ C$	0.6	W
Power Dissipation	$T_C = 25^\circ C$		
Operating Junction Temperature Range	$T_j$	-55 ~ 150	°C
Storage Temperature Range	$T_{stg}$	-55 ~ 150	°C

### 4.2 Thermal Characteristics

PARAMETER	SYMBOL	VALUE	UNIT
Thermal Resistance, Junction to Case-sink	$R_{thJC}$	1.67	°C/W
Thermal Resistance, Junction to Ambient	$R_{thJA}$	100	°C/W

**4.3 Electrical Characteristics** (Tc=25°C, unless otherwise noted)

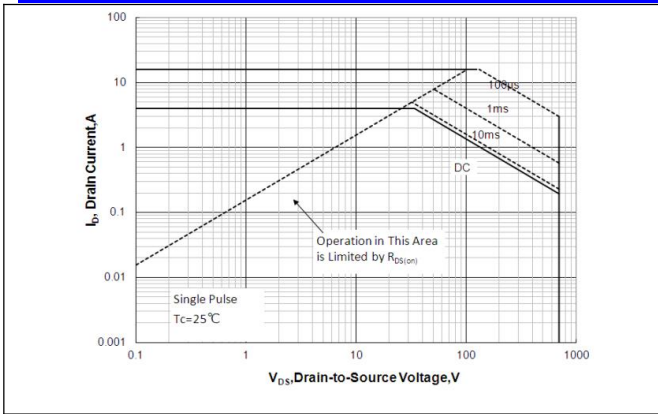
PARAMETER	SYMBOL	Test Condition	VALUE			UNIT
			MIN	TYP	MAX	
<b>Off Characteristics</b>						
Drain-source Breakdown Voltage	BV <sub>DSS</sub>	I <sub>D</sub> =250μA, V <sub>GS</sub> =0V	700	--	--	V
Zero Gate Voltage Drain Current	I <sub>DSS</sub>	V <sub>DS</sub> =700V, V <sub>GS</sub> =0V, T <sub>C</sub> =25°C	--	--	1	μA
		V <sub>DS</sub> =560V, V <sub>GS</sub> =0V, T <sub>C</sub> =125°C	--	--	100	μA
Gate-to-Body Leakage Current	I <sub>GSS</sub>	V <sub>GS</sub> =±30V, V <sub>DS</sub> =0V	--	--	±100	nA
<b>On Characteristics</b> (Note 3)						
Gate threshold voltage	V <sub>GS(th)</sub>	V <sub>DS</sub> =V <sub>GS</sub> , I <sub>D</sub> =250μA	2.0	--	4.0	V
Drain-source on Resistance	R <sub>DS(on)</sub>	V <sub>GS</sub> =10V, I <sub>D</sub> =2.0A	--	2.55	3.1	Ω
<b>Dynamic Characteristics</b>						
Input Capacitance	C <sub>iss</sub>	V <sub>GS</sub> =0V, V <sub>DS</sub> =25V, f=1.0MHz	--	606	--	pF
Output Capacitance	C <sub>oss</sub>		--	48	--	
Reverse Transfer Capacitance	C <sub>rss</sub>		--	2.7	--	
Turn-on Delay Time	T <sub>d(on)</sub>	I <sub>D</sub> =4A, V <sub>DD</sub> =350V, V <sub>GS</sub> =10V, R <sub>G</sub> =10Ω	--	14	--	ns
Turn-on Rise Time	t <sub>r</sub>		--	15	--	
Turn-off Delay Time	T <sub>d(off)</sub>		--	30	--	
Turn-off Fall	t <sub>f</sub>		--	9	--	
Total Gate Charge	Q <sub>g</sub>	I <sub>D</sub> =4A, V <sub>DD</sub> =560V, V <sub>GS</sub> =10V	--	12.7	--	nc
Gate-to-Source Charge	Q <sub>gs</sub>		--	3.0	--	
Gate-to-Drain("Miller")C harge	Q <sub>gd</sub>		--	5.1	--	
<b>Drain-Source Diode Characteristics</b>						
Diode Forward Voltage (Note 3)	V <sub>FSD</sub>	V <sub>GS</sub> =0V, I <sub>S</sub> =4A	--	--	1.5	V
Continuous Source Current (BodyDiode) (Note 3)	I <sub>S</sub>		--	--	4	A
Reverse Recovery Time	trr	T <sub>J</sub> =25°C, I <sub>F</sub> =4A, dI <sub>F</sub> /dt=100A/μS, V <sub>GS</sub> =0V		325		ns
Reverse Recovery Charge	Q <sub>rr</sub>			1470		nc

Notes:

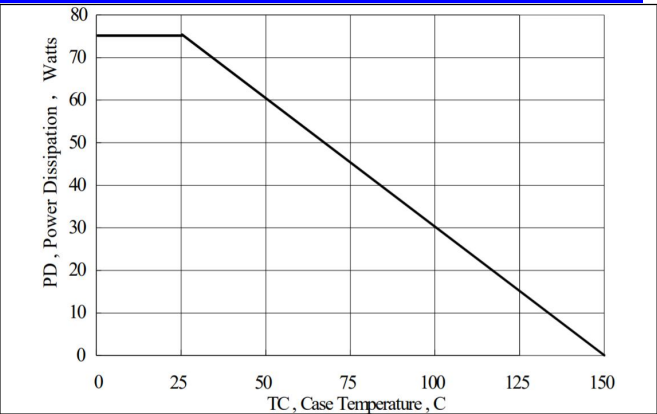
- 1: Repetitive rating, pulse width limited by maximum junction temperature.
- 2: Surface mounted on FR4 Board, t≤10sec.
- 3: Pulse width ≤ 300μs, duty cycle ≤ 2%.
- 4: L=10 mH, I<sub>D</sub>=6.2A, V<sub>DD</sub>=50V, Start T<sub>J</sub>=25°C.

**5 Typical Test Circuit and Waveform**

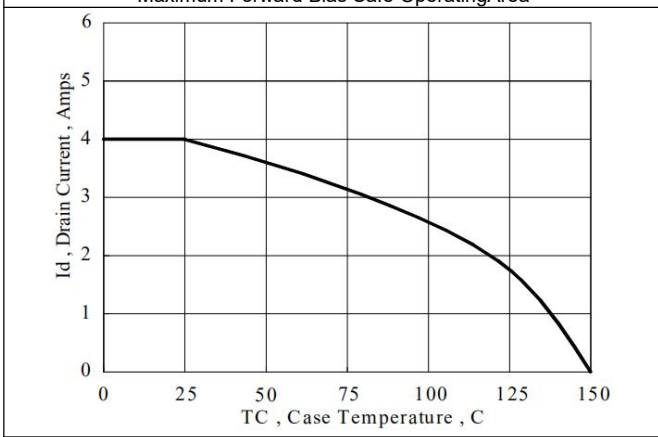
<p style="text-align: center;">Gate Charge Test Circuit</p>	<p style="text-align: center;">Gate Charge Waveforms</p>
<p style="text-align: center;">Resistive Switching Test Circuit</p>	<p style="text-align: center;">Resistive Switching Waveforms</p>
<p style="text-align: center;">Diode Reverse Recovery Test Circuit</p>	<p style="text-align: center;">Diode Reverse Recovery Waveform</p> $E_{AS} = \frac{I_{AS}^2 L}{2}$
<p style="text-align: center;">Unclamped Inductive Switching Test Circuit</p>	<p style="text-align: center;">Unclamped Inductive Switching Waveform</p>



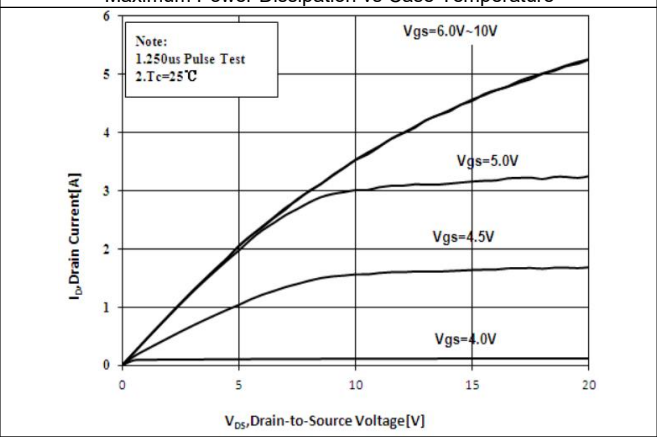
Maximum Forward Bias Safe Operating Area



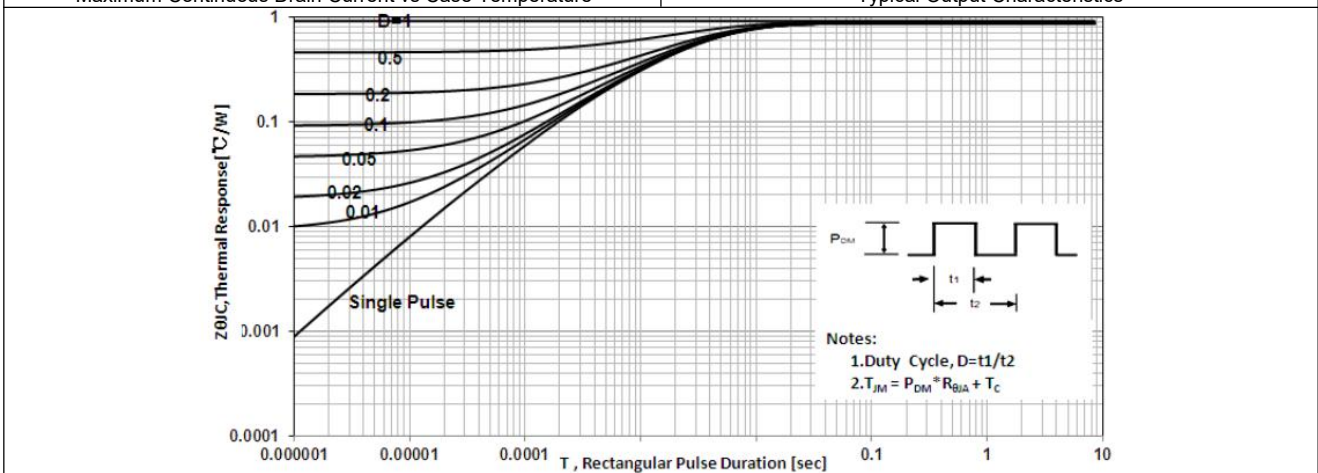
Maximum Power Dissipation vs Case Temperature



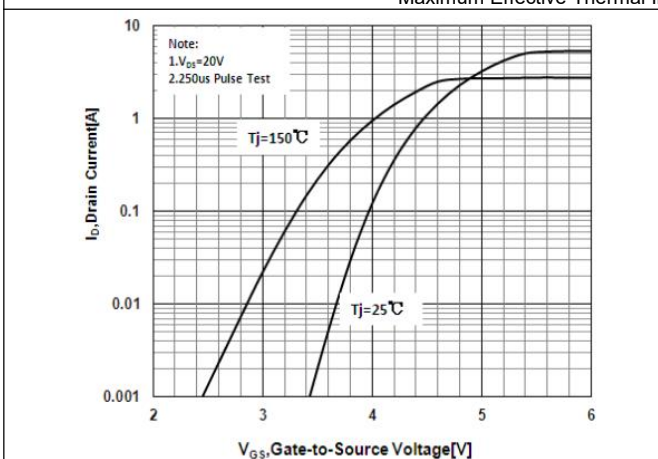
Maximum Continuous Drain Current vs Case Temperature



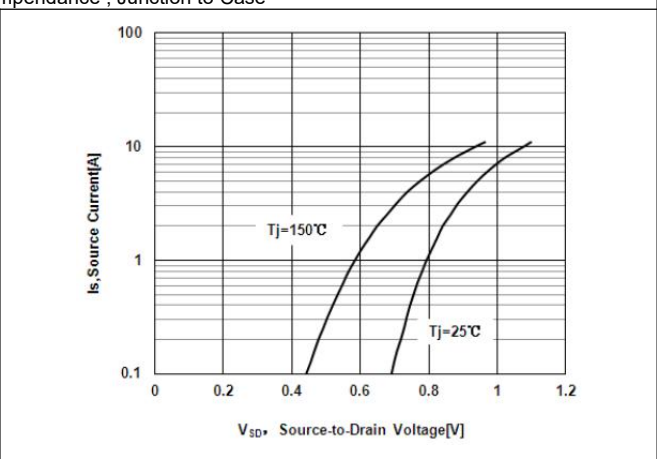
Typical Output Characteristics



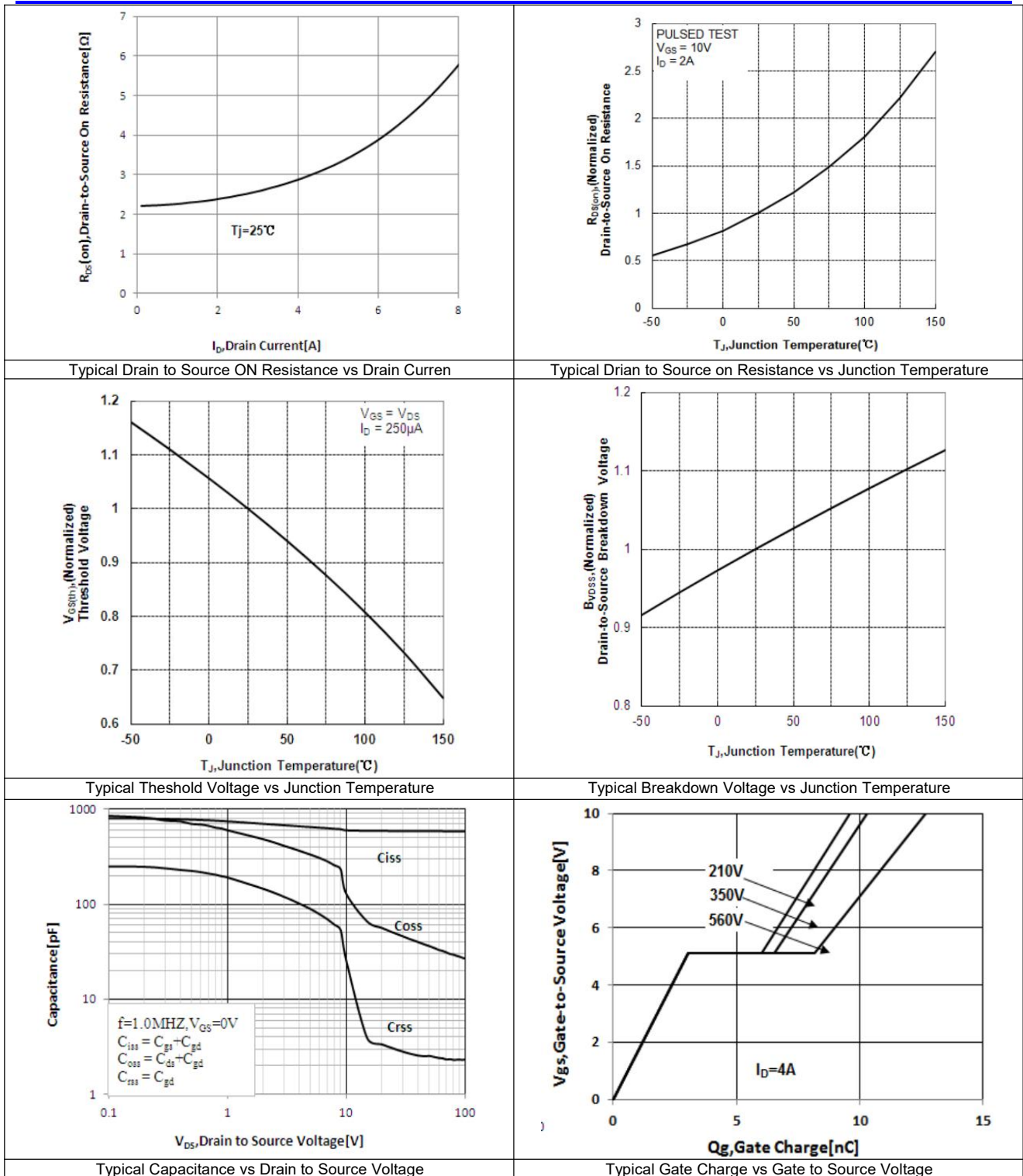
Maximum Effective Thermal Impedance, Junction to Case



Typical Transfer Characteristics



Typical Body Diode Transfer Characteristics

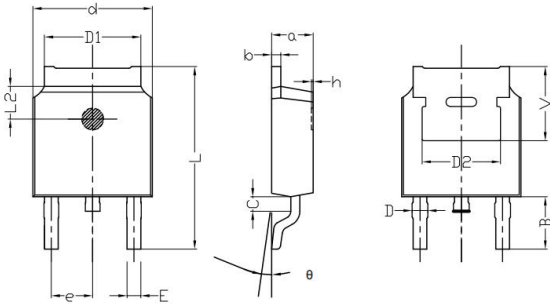


## 6 Product Specifications and Packaging Models

Product Model	Package Type	Mark Name	RoHS	Package	Quantity
D4N70	TO-252	D4N70	Pb-free	Braid	2500/disc

## 7 Dimensions

### TO-252 PACKAGE OUTLINE DIMENSIONS



Symbol	Dimensions In Millimeters		Dimensions In Inches	
	min.	max.	min.	max.
a	2.20	2.40	0.087	0.095
b	0.46	0.58	0.018	0.023
c	0.70	0.90	0.028	0.035
D	0.80	0.90	0.032	0.035
d	6.50	6.70	0.2561	0.2640
D1	5.10	5.46	0.201	0.215
D2	4.73	4.93	0.1864	0.1942
A	6.00	6.20	0.2364	0.2443
e	2.19	2.39	0.0861	0.0940
L	10.40	11.00	0.4098	0.4334
B	3.5	3.7	0.1379	0.1458
L2	1.5	1.7	0.0591	0.0670
θ	0	8	0	8
h	0	0.3	0	0.0118
V	5.25	5.45	0.2069	0.2147
E	0.6	0.8	0.0236	0.0315

## 8 Attentions

- Jiangsu Donghai Semiconductor Technology Co., Ltd. reserves the right to change the specification without prior notice! The customer should obtain the latest version of the information before making the order and verify that the information is complete and up to date.
- It is the responsibility of the purchaser for any failure or failure of any semiconductor product under certain conditions. It is the responsibility of the purchaser to comply with safety standards and to take safety measures in the system design and machine manufacturing of WXDH products in order to avoid potential risk of failure. Injury or property damage.
- Product promotion is endless, our company will be dedicated to provide customers with better products.

## 9 Appendix

Revision history:

Date	REV.	Description	Page
2020.03.09	1.0	Original	