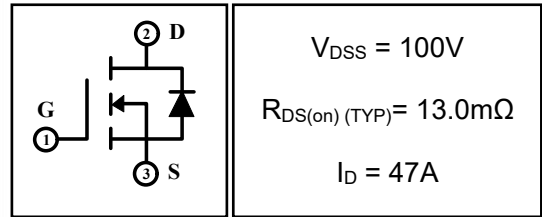


47A 100V N-channel Enhancement Mode Power MOSFET

1 Description

These N-channel enhancement mode power mosfets used advanced trench technology design, provided excellent $R_{DS(on)}$ and low gate charge. Which accords with the RoHS standard.

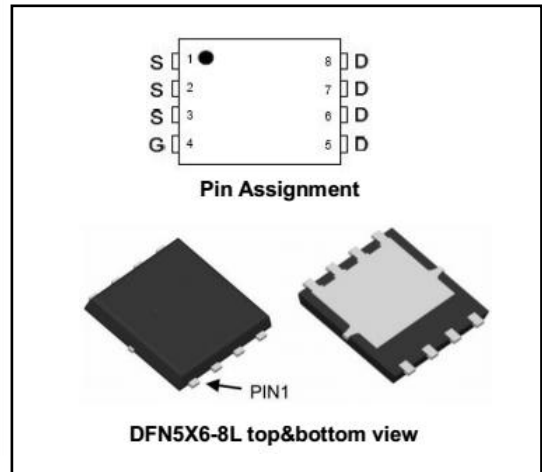


2 Features

- Low on resistance
- Low gate charge
- Fast switching
- Low reverse transfer capacitances
- 100% single pulse avalanche energy test
- 100% ΔV_{DS} test

3 Applications

- Power switching applications
- Inverter management system
- Electric tools
- Automotive electronics



4 Electrical Characteristics

4.1 Absolute Maximum Ratings (Tc=25°C, unless otherwise noted)

Parameter	Symbol	Rating	Units
Drain-to-Source Voltage	V_{DSS}	100	V
Gate-to-Source Voltage	V_{GSS}	± 20	V
Continuous Drain Current	I_D	$T_C=25^\circ C$	47
		$T_C=100^\circ C$	33
Pulsed Drain Current ⁽¹⁾	I_{DM}	188	A
Single Pulse Avalanche Energy ⁽⁴⁾	E_{AS}	360	mJ
Avalanche Current ⁽⁴⁾	I_{AS}	38	A
Power Dissipation	P_{tot}	$T_a=25^\circ C$	-
		$T_C=25^\circ C$	147
Junction Temperature Range	T_j	-55 ~ 150	$^\circ C$
Storage Temperature Range	T_{stg}	-55 ~ 150	$^\circ C$

4.2 Thermal Characteristics

Parameter	Symbol	Rating	Units
Thermal Resistance, Junction to Case-sink	R_{thJC}	0.85	$^\circ C/W$
Thermal Resistance, Junction to Ambient	R_{thJA}	-	$^\circ C/W$

4.3 Electrical Characteristics (Tc=25°C, unless otherwise noted)

Parameter	Symbol	Test Condition	Value			Units
			Min	Typ	Max	
Off Characteristics						
Drain-to-Source Breakdown Voltage	BV_{DSS}	$I_D=250\mu A, V_{GS}=0V$	100	--	--	V
Drain-to-Source Leakage Current	I_{DSS}	$V_{DS}=100V, V_{GS}=0V, T_C=25^\circ C$	--	--	1	μA
		$V_{DS}=100V, V_{GS}=0V, T_C=125$	--	--	100	μA
Gate-to-Source Leakage Current	I_{GSS}	$V_{GS}=\pm 20V, V_{DS}=0V$	--	--	± 100	nA
On Characteristics						
Gate Threshold Voltage	$V_{GS(th)}$	$V_{DS}=V_{GS}, I_D=250\mu A$	2	3	4	V
Drain-to-Source on-state Resistance	$R_{DS(on)}$	$V_{GS}=10V, I_D=30A$	--	13.0	15.6	m Ω
Dynamic Characteristics						
Input Capacitance	C_{iss}	$V_{GS}=0V, V_{DS}=50V, f=1.0MHz$	--	5000	--	pF
Output Capacitance	C_{oss}		--	200	--	
Reverse Transfer	C_{rss}		--	100	--	
Gate Resistance	R_G	$V_{DD}=0V, V_{GS}=0V, F=1MHz$	--	1.5	--	Ω
Switching						
Turn-on Delay Time	$t_{d(on)}$	$I_D=30A, V_{DD}=50V, V_{GS}=10V, V_{GEN}=25\Omega$	--	65	--	nS
Turn-on Rise Time	t_r		--	120	--	
Turn-off Delay Time	$t_{d(off)}$		--	233	--	
Turn-off Fall Time	t_f		--	127	--	
Total Gate Charge	Q_g	$I_D=30A, V_{DD}=50V, V_{GS}=10V$	--	96	--	nC
Gate-to-Source Charge	Q_{gs}		--	31	--	
Gate-to-Drain("Miller")	Q_{gd}		--	25	--	
Drain-Source Diode Characteristics						
Diode Forward Voltage ⁽³⁾	V_{SD}	$V_{GS}=0V, I_S=30A$	--	--	1.2	V
Diode Forward Current	I_S		--	--	30	A
Reverse Recovery Time	t_{rr}	$T_J=25^\circ C, I_F=60A, di/dt=100A/\mu s, V_{GS}=0V$	--	50	--	nS
Reverse Recovery charge	Q_{rr}		--	95	--	nC

Notes:

- 1: Repetitive rating, pulse width limited by maximum junction temperature.
- 2: Surface mounted on FR4 Board, $t \leq 10sec$.
- 3: Pulse width $\leq 300\mu s$, duty cycle $\leq 2\%$.
- 4: $L=0.5mH, I_D=38A, V_{DD}=50V, V_{GATE}=100V, Start T_J=25^\circ C$.

5 Typical characteristics diagrams

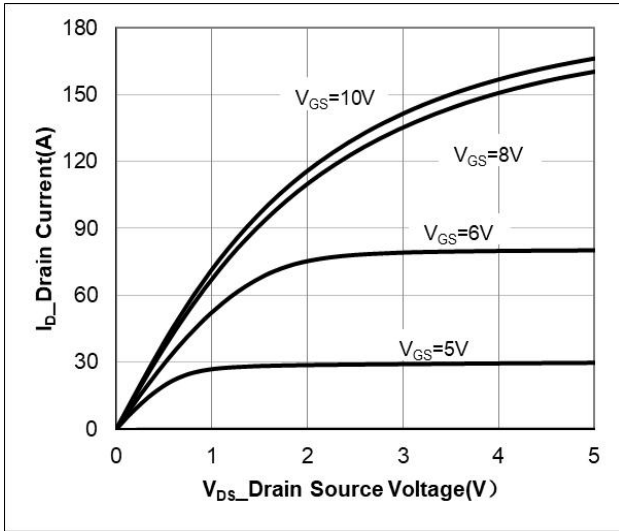


Figure 1 Output Characteristics

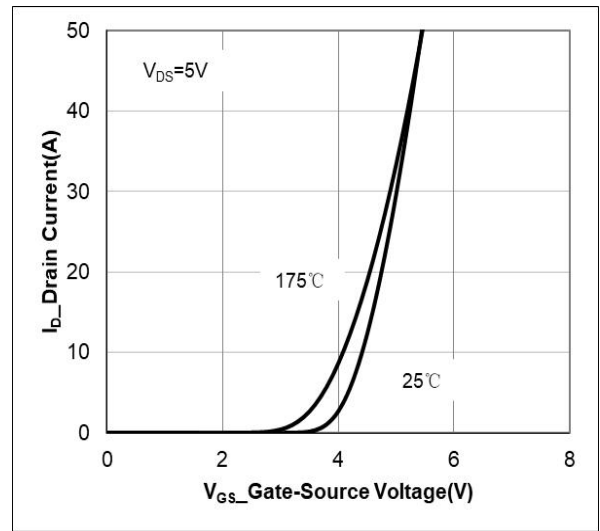


Figure 2 Transfer Characteristics

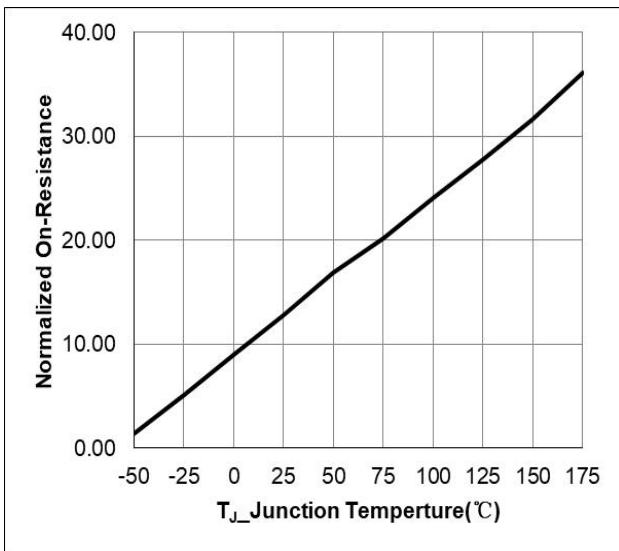


Figure 3 $R_{DS(ON)}$ –Junction Temperature

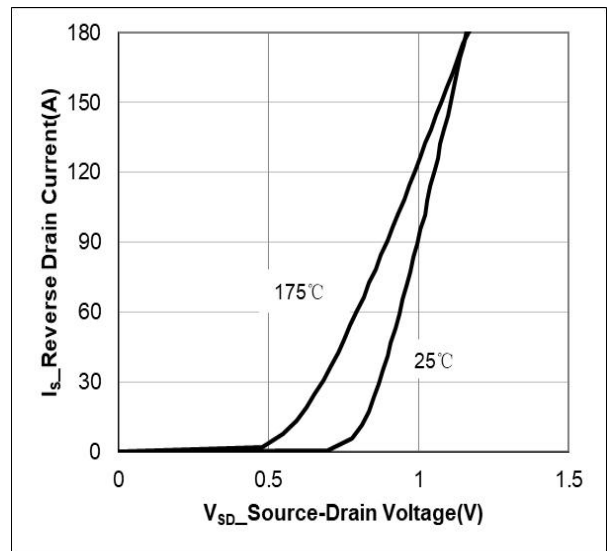


Figure 4 V_{SD} Source-Drain Diode forward

5 Typical characteristics diagrams(continues)

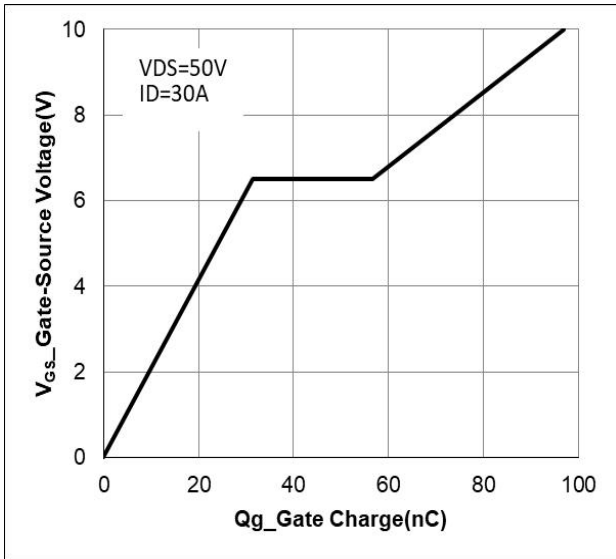


Figure 5 Gate Charge

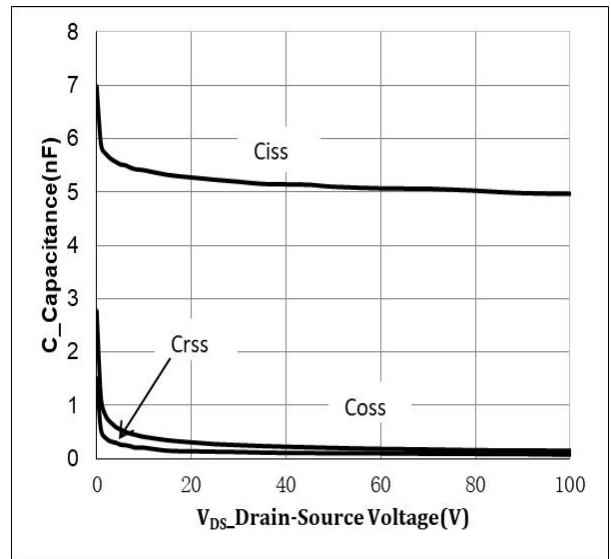


Figure 6 Capacitance Vs VDS

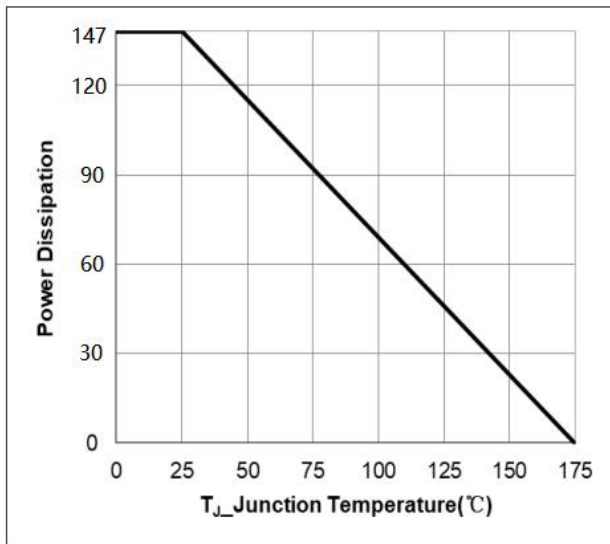


Figure 7 Power De-rating

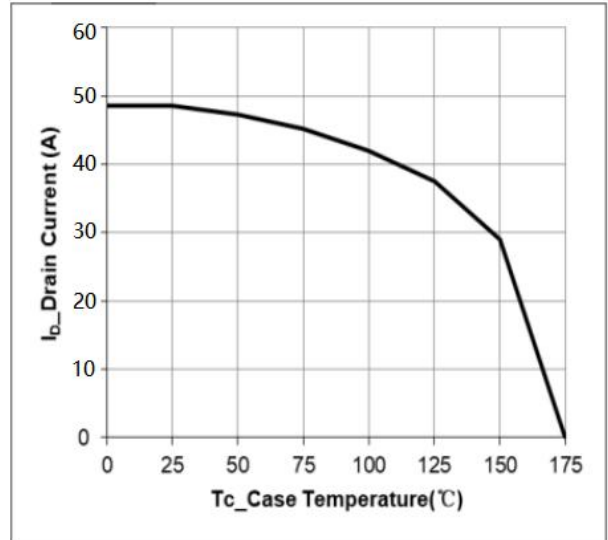
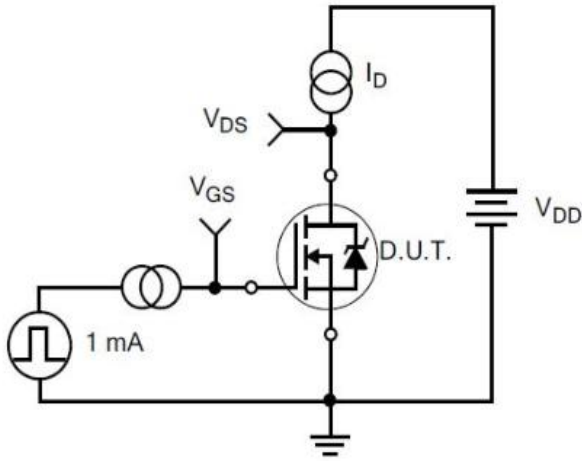
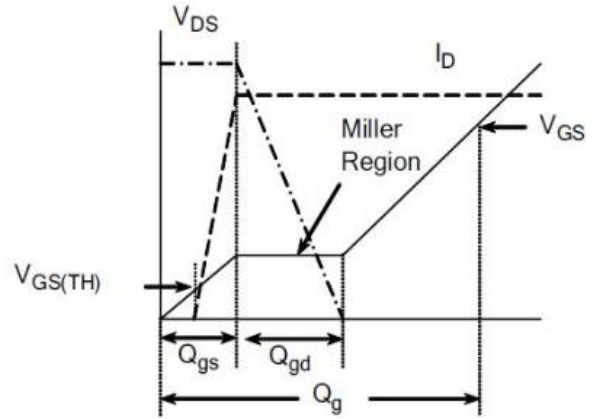


Figure 8 Current De-rating

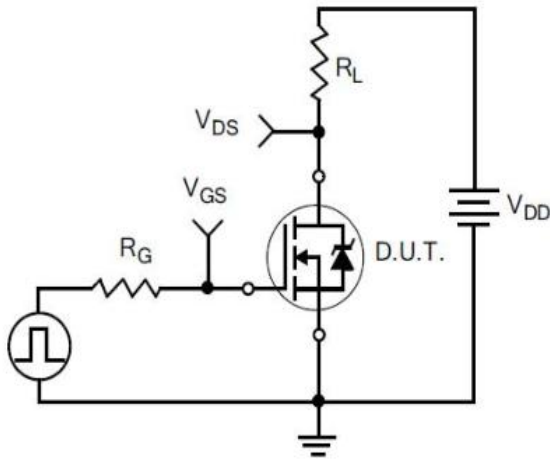
6 Typical Test Circuit and Waveform



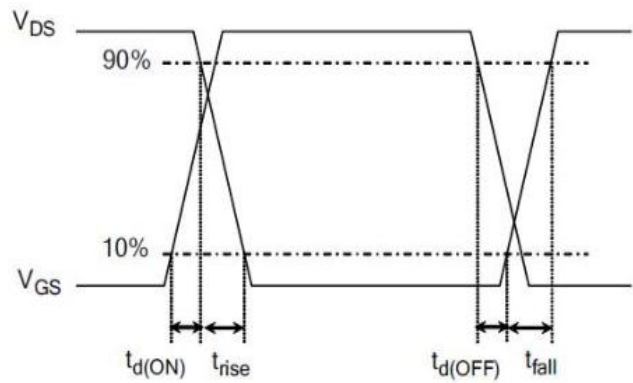
1) Gate Charge Test Circuit



2) . Gate Charge Waveform

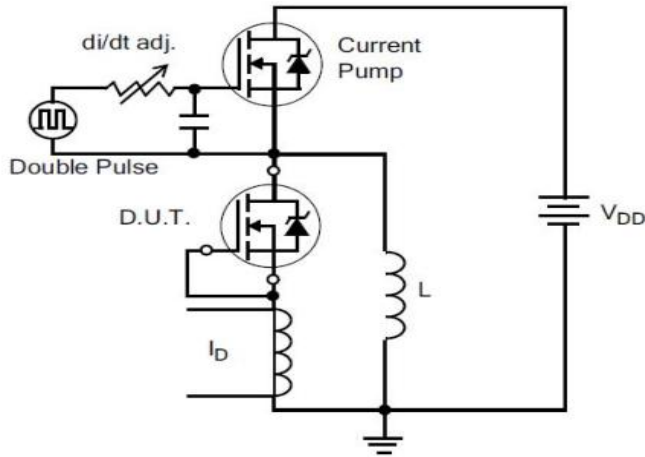


3) Resistive Switching Test Circuit

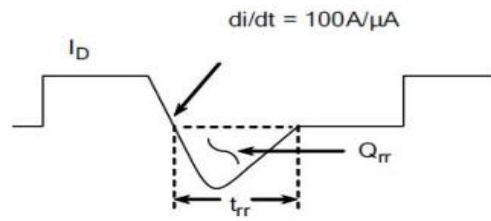


4) Resistive Switching Waveforms

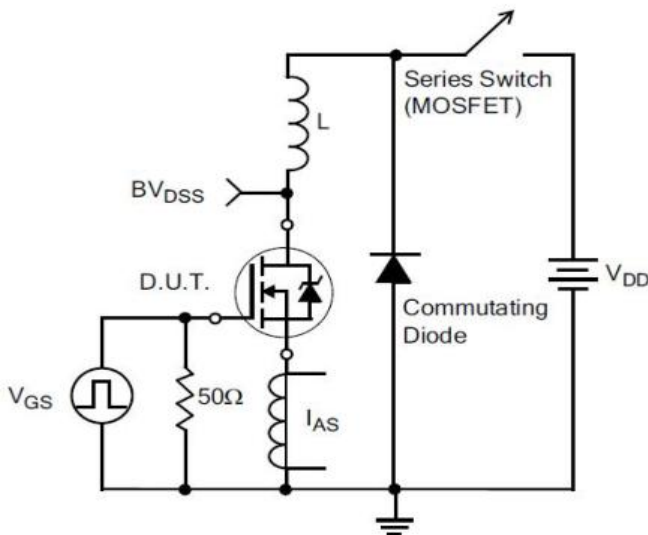
6 Typical Test Circuit and Waveform(continues)



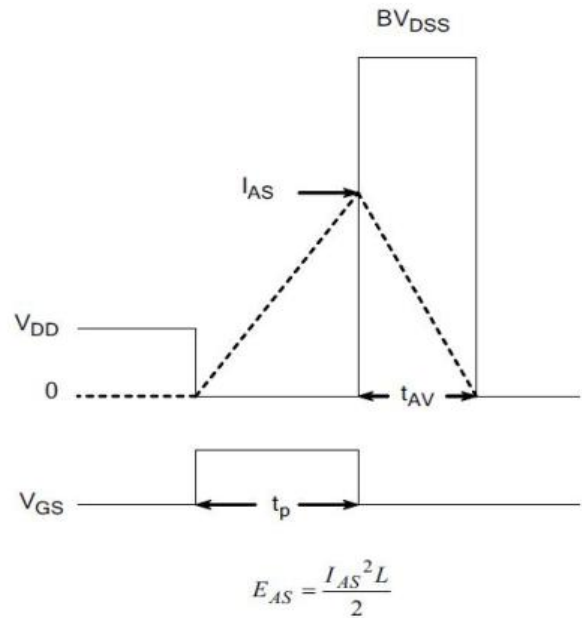
5) Diode Reverse Recovery Test Circuit



6) Diode Reverse Recovery Waveform

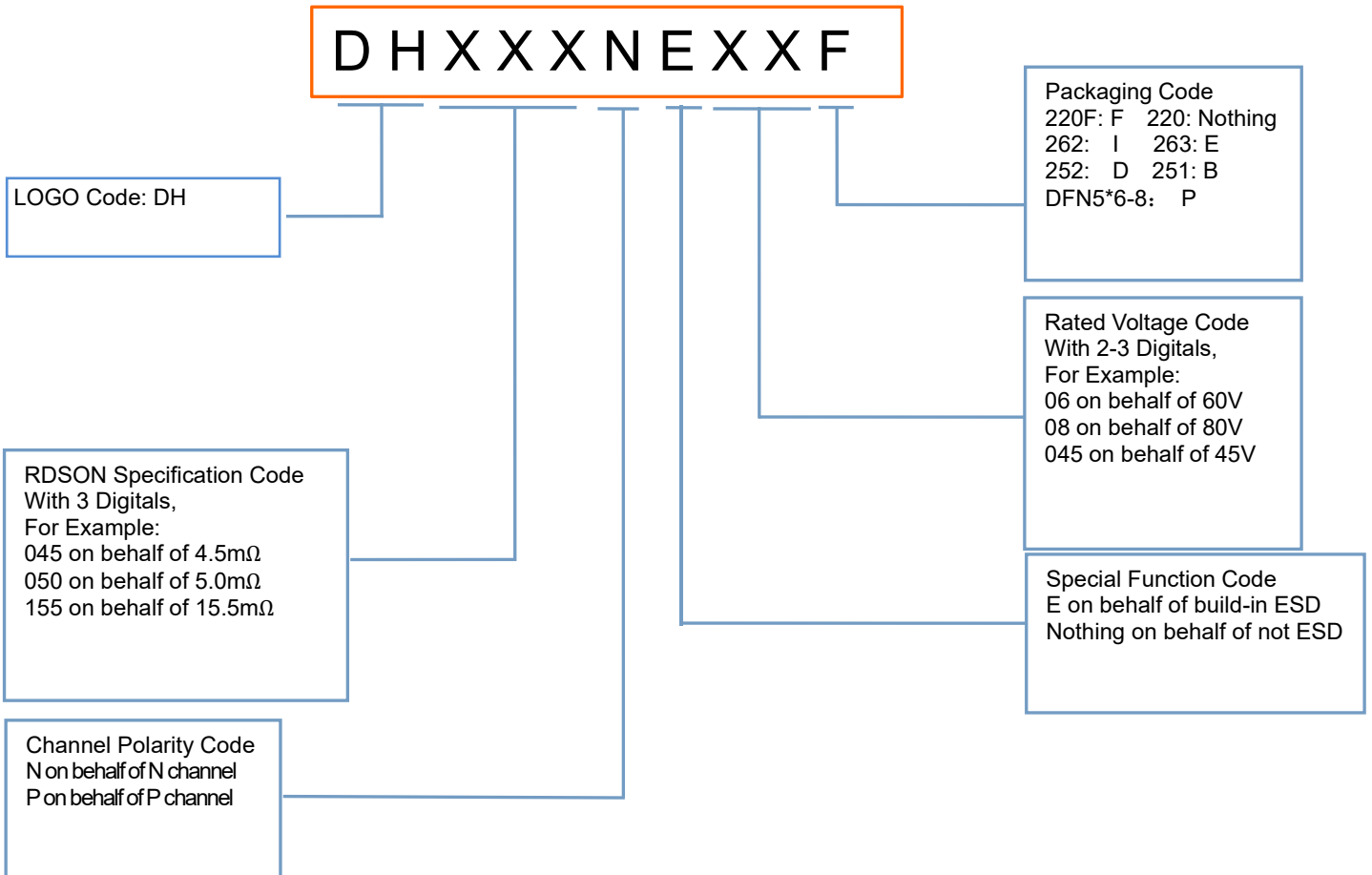


7) . Unclamped Inductive Switching Test Circuit



8) Unclamped Inductive Switching Waveforms

7 Product Names Rules

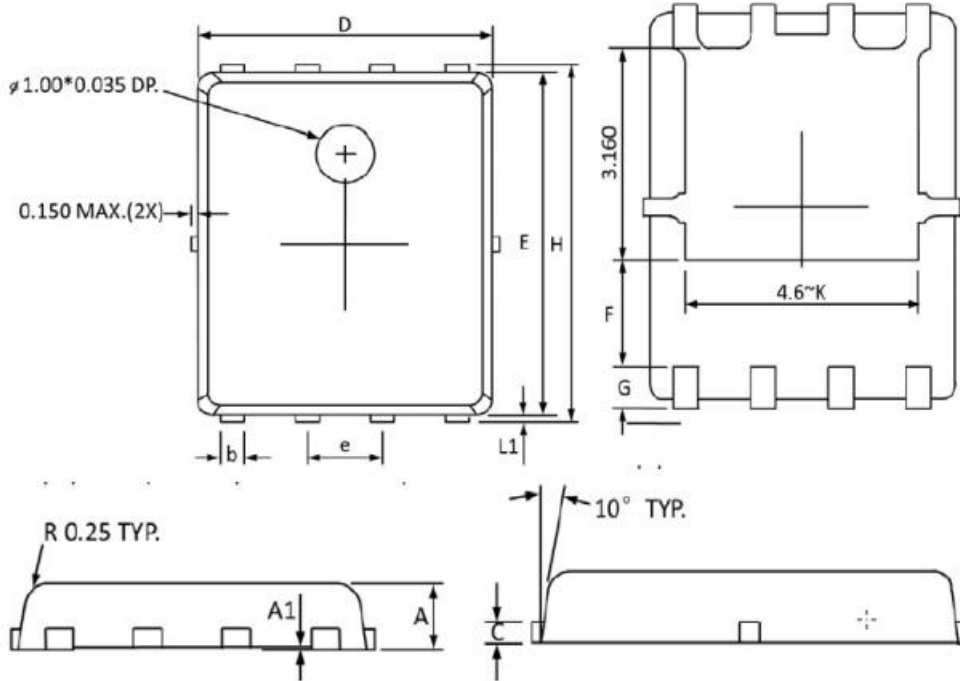


8 Product Specifications and Packaging Models

Product Model	Package Type	Mark Name	RoHS	Package	Quantity
DH135N10P	P PAK5*6-8	DH135N10P	Pb-free	Tape & Reel	2500/box

9 Dimensions

PPAK5x6 PACKAGE INFORMATION



Symbol	Dimensions In Millimeters		Dimensions In Inches	
	Min	Max	Min	Max
A	0.800	1.000	0.032	0.039
A1	0.000	0.005	0.000	0.000
b	0.350	0.490	0.014	0.019
C	0.254 Ref		0.254 Ref	
D	4.900	5.100	0.193	0.200
E	5.700	5.900	0.225	0.232
e	1.27 BSC		1.27 BSC	
F	1.600 Ref		1.600 Ref	
G	0.600 Ref		0.600 Ref	
H	5.950	6.200	0.235	0.244
L1	0.100	0.180	0.004	0.007
K	3.200 Ref		3.200 Ref	

10 Attentions

- Jiangsu Donghai Semiconductor Technology CO.,LTD. reserves the right to change the specification without prior notice! The customer should obtain the latest version of the information before making the order and verify that the information is complete and up to date.
- It is the responsibility of the purchaser for any failure or failure of any semiconductor product under certain conditions. It is the responsibility of the purchaser to comply with safety standards and to take safety measures in the system design and machine manufacturing of Donghai products in order to avoid potential risk of failure. Injury or property damage.
- Product promotion is endless, our company will be dedicated to provide customers with better products.

11 Appendix

Revision history:

Date	REV.	Description	Page
2021.09.28	1.0	Original	