

170A 100V N-channel Enhancement Mode Power MOSFET

1 Description

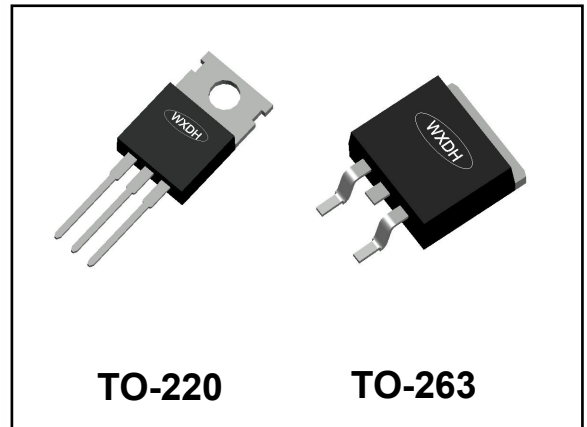
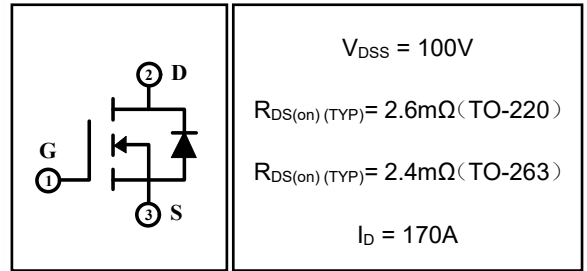
These N-channel enhancement mode power mosfets used advanced split gate trench technology design, provided excellent $R_{DS(on)}$ and low gate charge. Which accords with the RoHS standard.

2 Features

- Fast switching
- Low on resistance
- Low gate charge
- High avalanche current
- Low reverse transfer capacitances
- 100% single pulse avalanche energy test
- 100% ΔV_{DS} test

3 Applications

- Synchronous rectification in SMPS
- Hard switching and high speed circuit
- Power tools
- UPS
- Motor control



4 Electrical Characteristics

4.1 Absolute Maximum Ratings (T_c=25°C, unless otherwise noted)

Parameter		Symbol	Rating	Units
Drain-to-Source Voltage		V_{DSS}	100	V
Gate-to-Source Voltage		V_{GSS}	±20	V
Continuous Drain Current	T _C =25°C (Package limit)	I_D	170	A
	T _C =25°C (Silicon limit)		212	A
	T _C =100°C		134	A
Pulsed Drain Current ⁽¹⁾		I_{DM}	680	A
Single Pulse Avalanche Energy ⁽⁴⁾		E_{AS}	1482	mJ
Avalanche Current ⁽⁴⁾		I_{AS}	77	A
Power Dissipation	T _a =25°C	P_{tot}	2	W
	T _C =25°C	P_{tot}	312	W
Junction Temperature Range		T_j	-55~150	°C
Storage Temperature Range		T_{stg}	-55~150	°C

4.2 Thermal Characteristics

Parameter	Symbol	Value		Units
		Typ	Max	
Thermal Resistance, Junction to Case-sink	R_{thJC}	0.4	0.55	°C/W
Thermal Resistance, Junction to Ambient	R_{thJA}	50	62	°C/W

4.3 Electrical Characteristics (T_c=25°C, unless otherwise noted)

Parameter	Symbol	Test Condition	Value			Units
			Min	Typ	Max	
Off Characteristics						
Drain-to-Source Breakdown Voltage	BV _{DSS}	I _D =250μA, V _{GS} =0V	100	--	--	V
Drain-to-Source Leakage Current	I _{DSS}	V _{DS} =100V, V _{GS} =0V, T _C =25	--	--	1	μA
		V _{DS} =100V, V _{GS} =0V, T _C =125	--	--	100	μA
Gate-to-Source Leakage Current	I _{GSS}	V _{GS} =±20V, V _{DS} =0V	--	--	±100	nA
On Characteristics						
Gate Threshold Voltage	V _{GS(th)}	V _{DS} =V _{GS} , I _D =250μA	2.2	3	3.8	V
Drain-to-Source on-state Resistance	R _{DS(on)} TO-220	V _{GS} =10V, I _D =70A	--	2.6	3	mΩ
	R _{DS(on)} TO-263		--	2.4	2.8	
Transconductance	G _{fs}	V _{DS} =5V, I _D =70A	--	142	--	S
Dynamic Characteristics						
Input Capacitance	C _{iss}	V _{GS} =0V, V _{DS} =50V, f=1.0MHz	--	12250	--	pF
Output Capacitance	C _{oss}		--	2710	--	
Reverse Transfer Capacitance	C _{rss}		--	230	--	
Gate Resisistance	R _G	V _{DD} =0V, V _{GS} =0V, F=1MHz	--	1.8	--	Ω
Switching Characteristics						
Turn-on Delay Time	t _{d(on)}	I _D =60A, V _{DD} =30V, V _{GS} =10V, R _{GEN} =4.7Ω	--	34	--	nS
Turn-on Rise Time	t _r		--	105	--	
Turn-off Delay Time	t _{d(off)}		--	67	--	
Turn-off Fall Time	t _f		--	104	--	
Total Gate Charge	Q _g	I _D =60A, V _{DD} =50V, V _{GS} =10V	--	170	--	nC
Gate-to-Source Charge	Q _{gs}		--	51	--	
Gate-to-Drain("Miller") Charge	Q _{gd}		--	32	--	
Gate plateau voltage	V _{plateau}		--	4.4	--	
Drain-Source Diode Characteristics						
Diode Forward Voltage ⁽³⁾	V _{SD}	V _{GS} =0V, I _S =60A	--	--	1.3	V
Diode Forward Current	I _S		--	--	170	A
Reverse Recovery Time ⁽³⁾	t _{rr}	T _J =25°C, I _F =20A, dI _F /dt=100A/μS, V _{GS} =0V	--	109	--	nS
Reverse Recovery Charge ⁽³⁾	Q _{rr}		--	207	--	nC

Notes:

- 1: Repetitive rating, pulse width limited by maximum junction temperature.
- 2: Surface mounted on FR4 Board, t_s≤10sec.
- 3: Pulse width ≤ 300μs, duty cycle ≤ 2%.
- 4: L=0.5mH, V_{DD}=80V, V_{GATE}=85V, Start T_J=25°C.

5 Typical characteristics diagrams

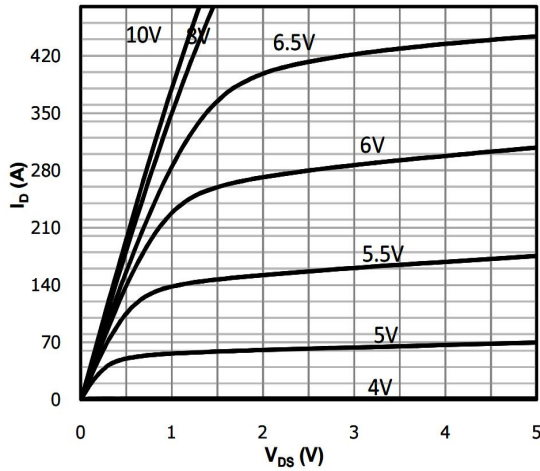


Fig 1. Output Characteristics

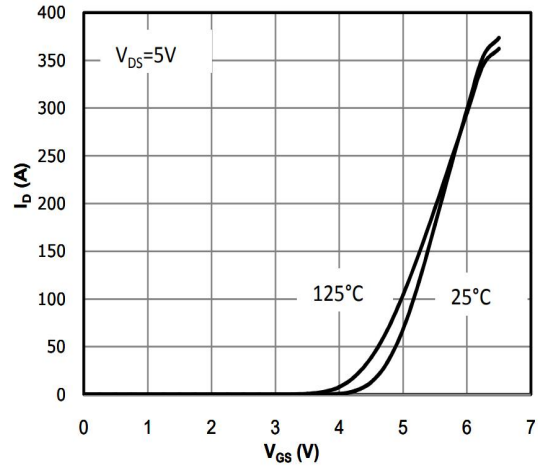


Fig 2. Transfer Characteristics

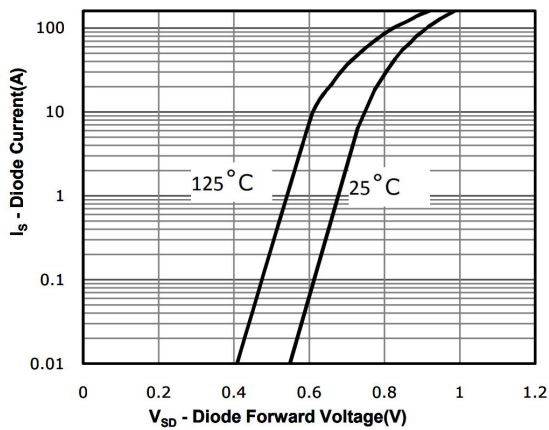


Figure 3 Source-Drain Diode Forward

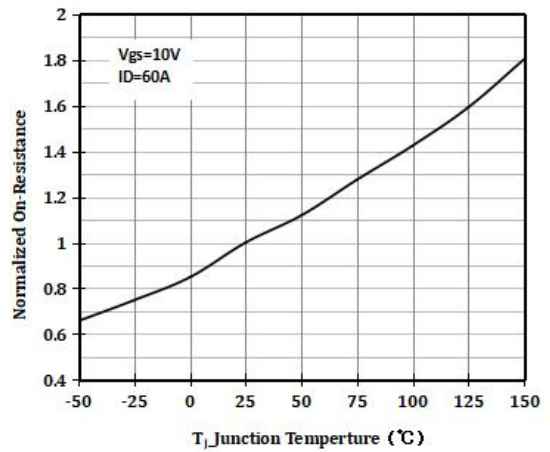


Fig 4. Rds(on) vs. Temperature

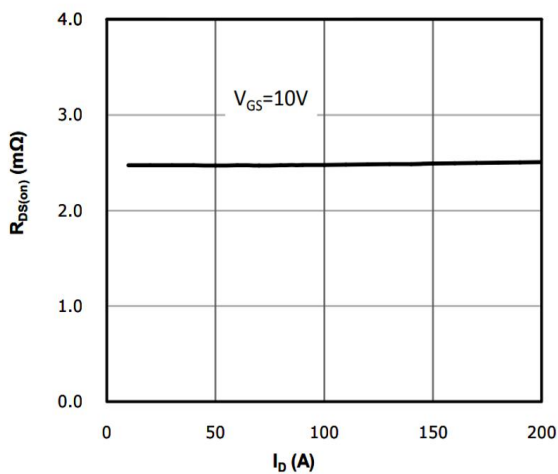


Fig 5. Rds(on) vs Drain Current

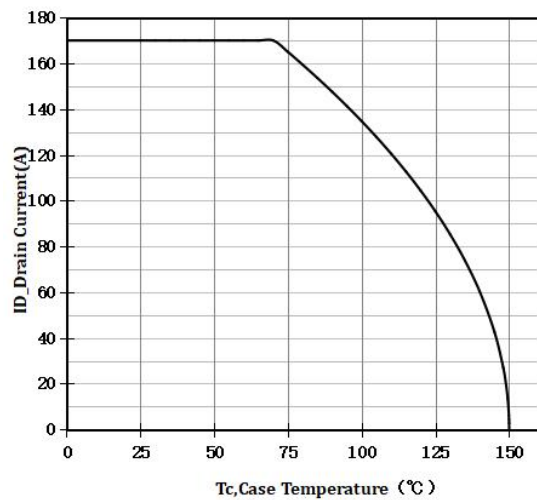


Figure 6. ID Current Derating

5 Typical characteristics diagrams(continues)

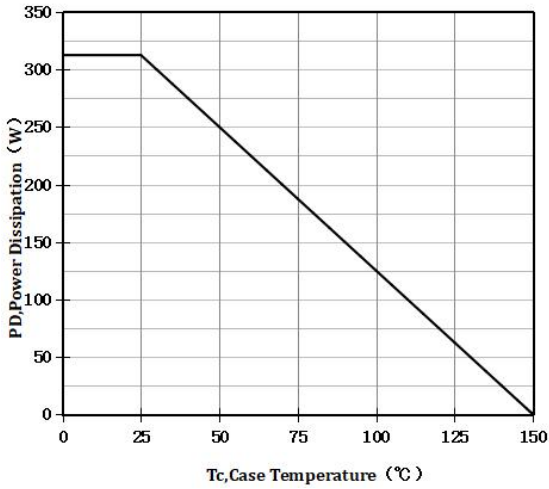


Figure 7. Power Dissipation

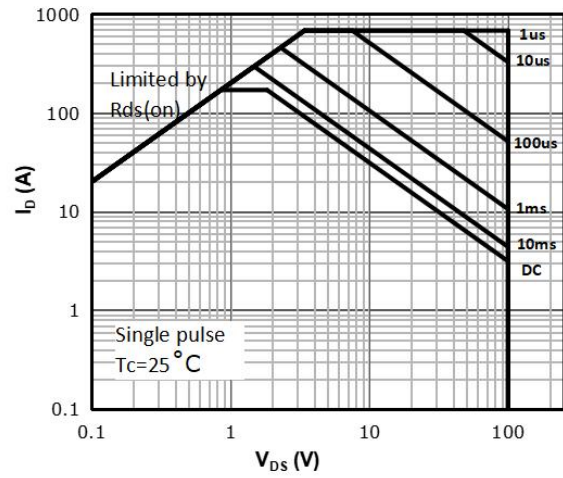


Figure 8. Safe Operating Area

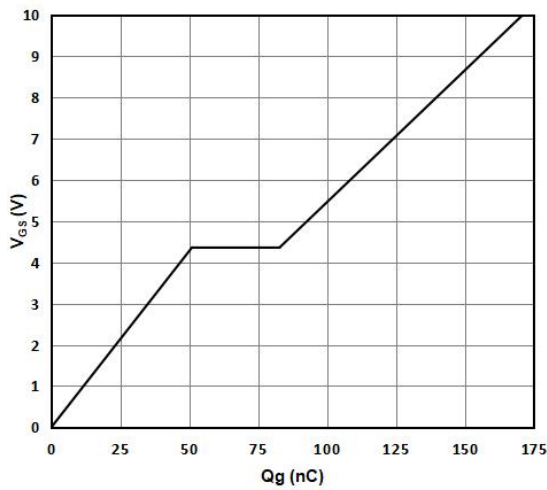


Figure 9. Capacitance Characteristics

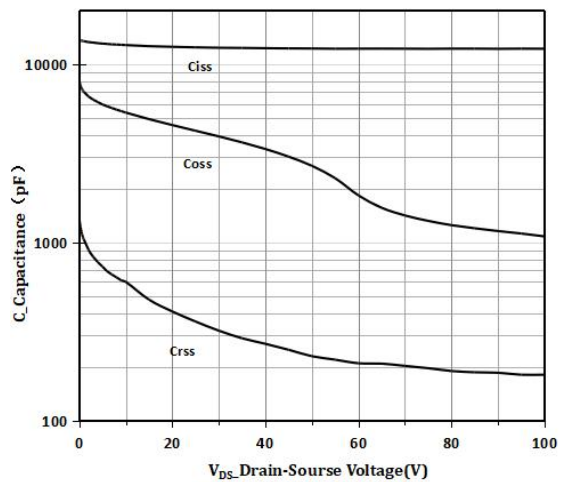


Figure 10. Gate Charge Characteristics

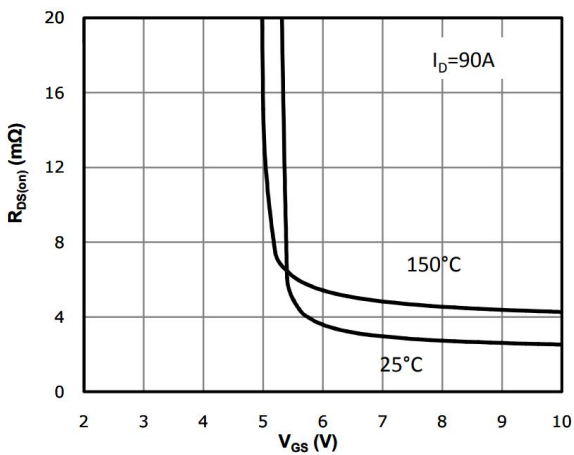


Figure 11. R_{ds(on)} vs . Gate Voltage

5 Typical characteristics diagrams(continues)

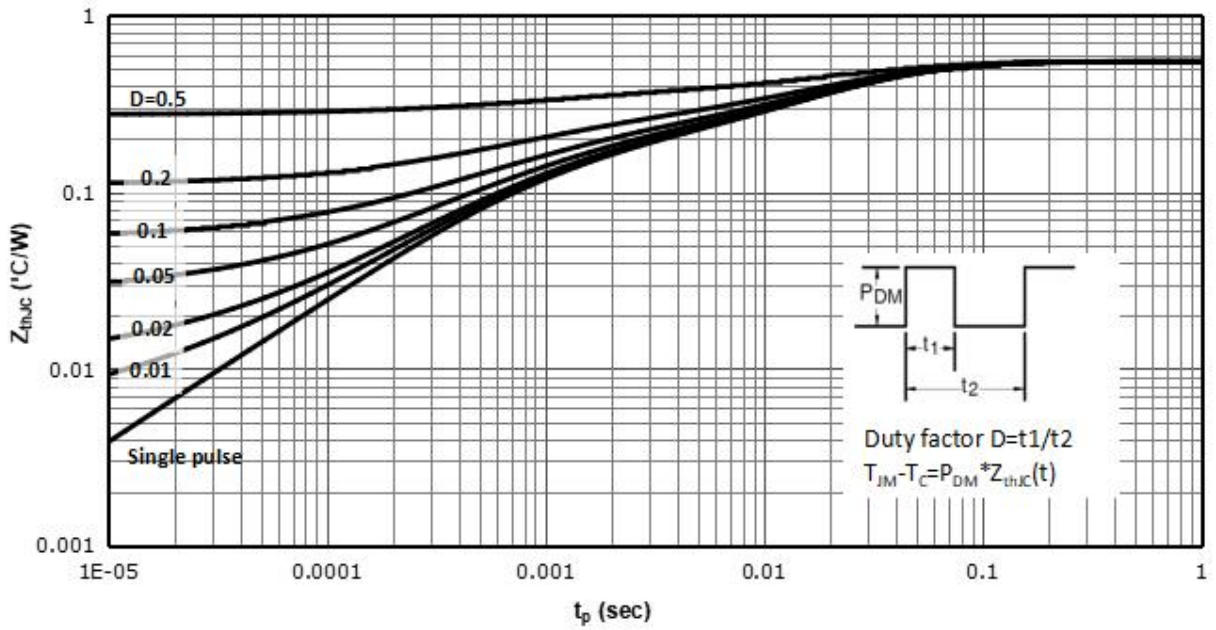
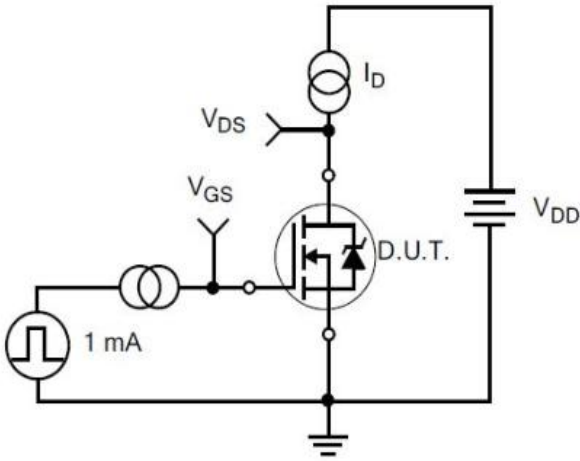
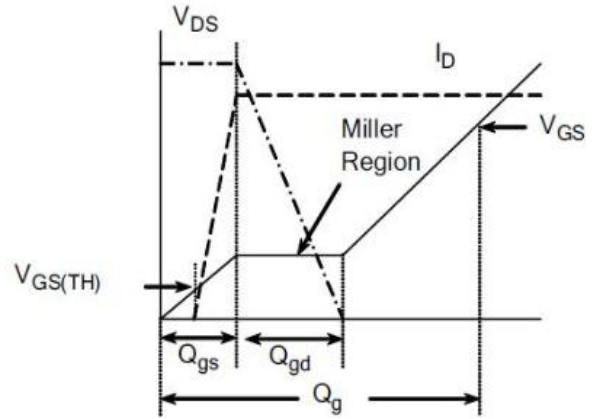


Figure 12. Normalized Maximum Transient Thermal Impedance

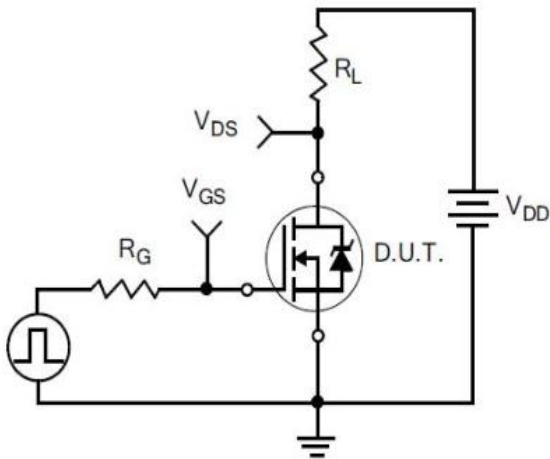
6 Typical Test Circuit and Waveform



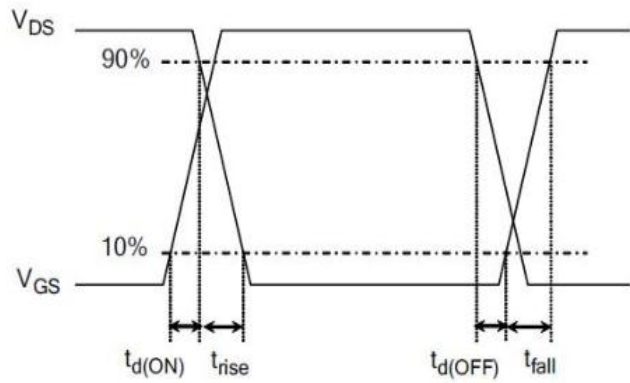
1) Gate Charge Test Circuit



2) . Gate Charge Waveform

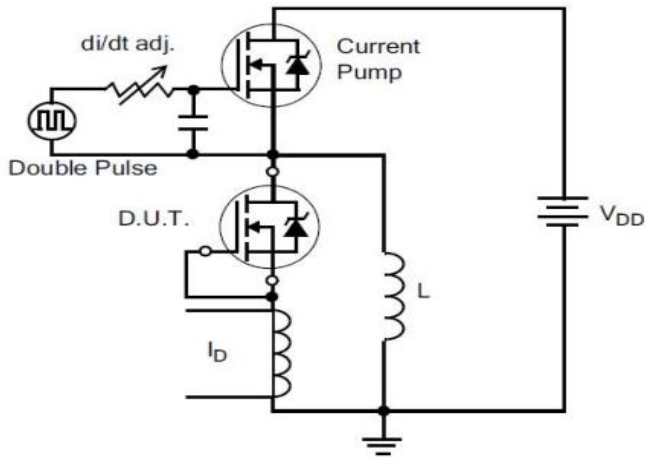


3) Resistive Switching Test Circuit

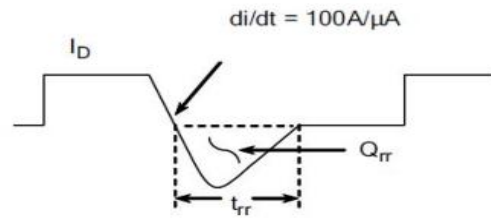


4) Resistive Switching Waveforms

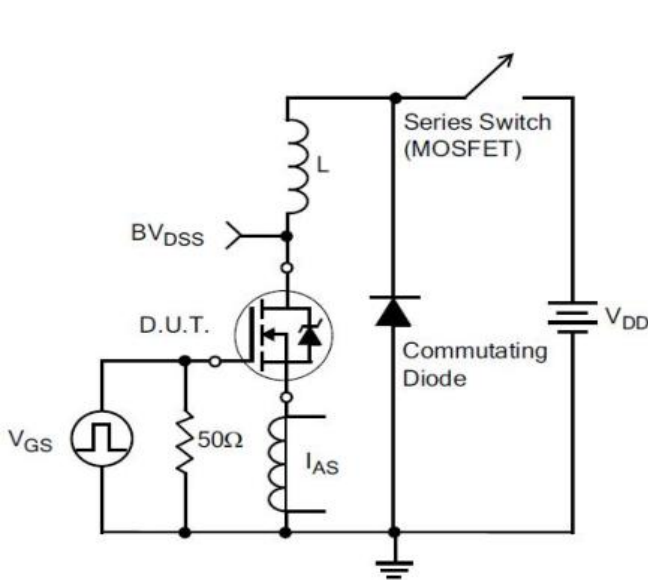
6 Typical Test Circuit and Waveform(continues)



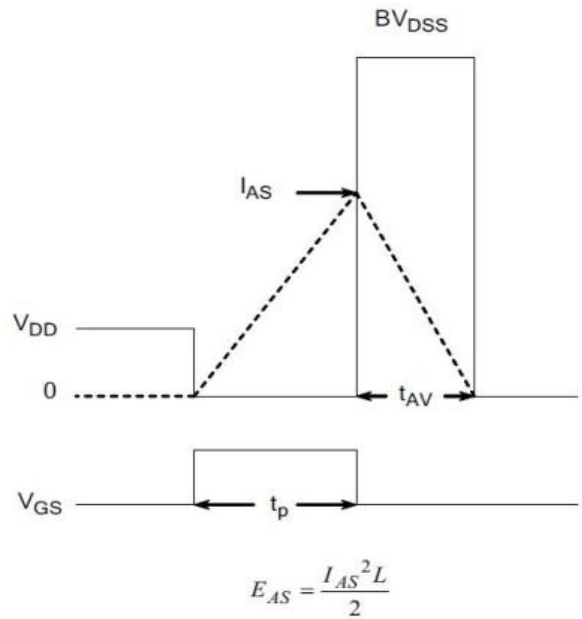
5) Diode Reverse Recovery Test Circuit



6) Diode Reverse Recovery Waveform

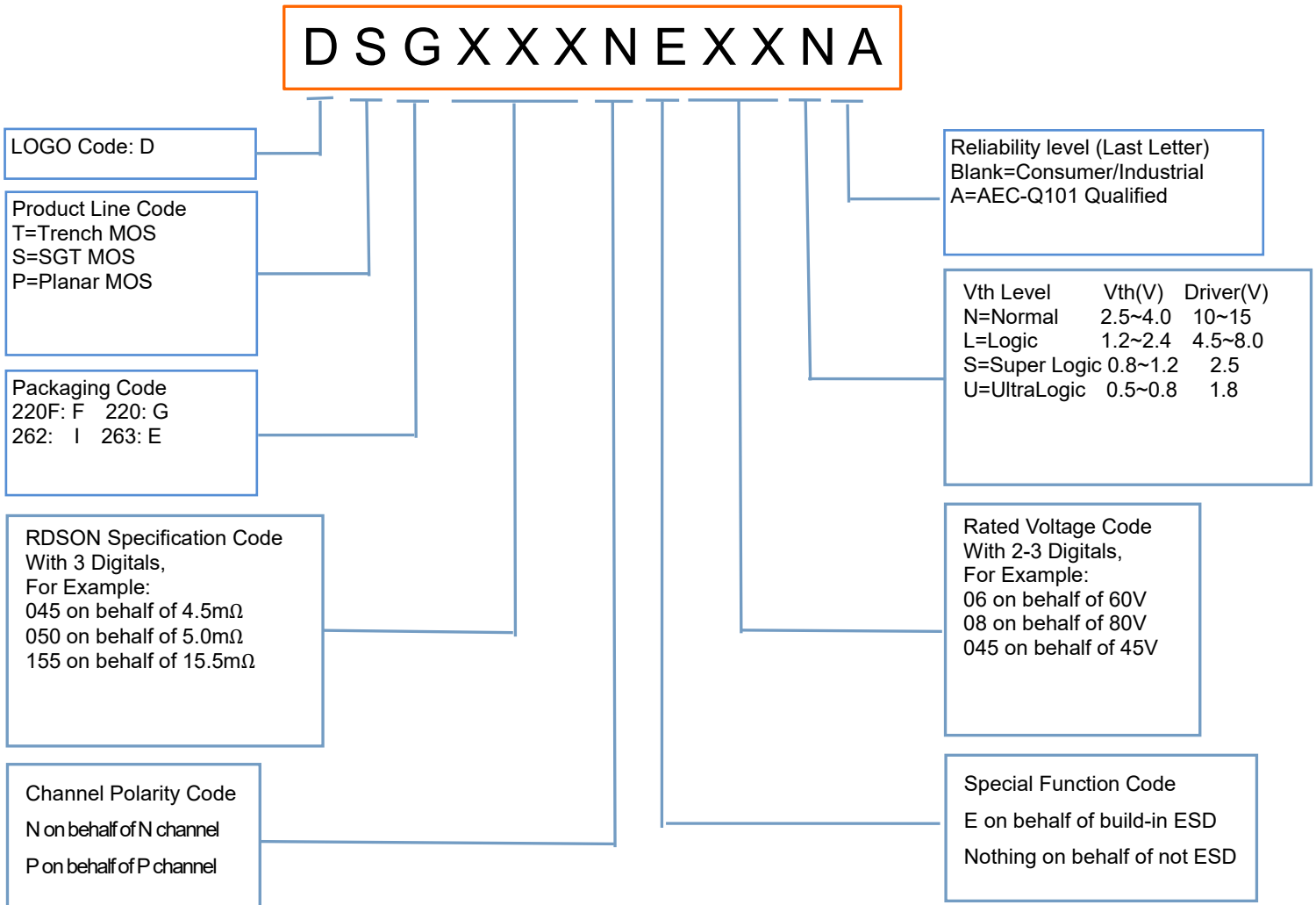


7) . Unclamped Inductive Switching Test Circuit



8) Unclamped Inductive Switching Waveforms

7 Product Names Rules

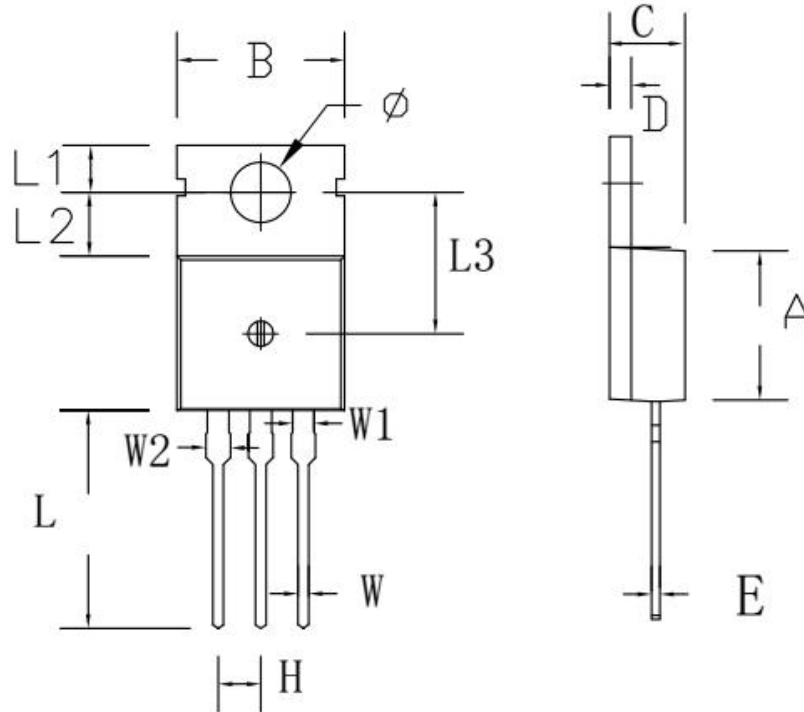


8 Product Specifications and Packaging Models

Product Model	Package Type	Mark Name	RoHS	Package	Quantity
DSG030N10N3	TO-220	DSG030N10N3	Pb-free	Tube	1000/box
DSE028N10N3	TO-263	DSE028N10N3	Pb-free	Tube	800/box

9 Dimensions

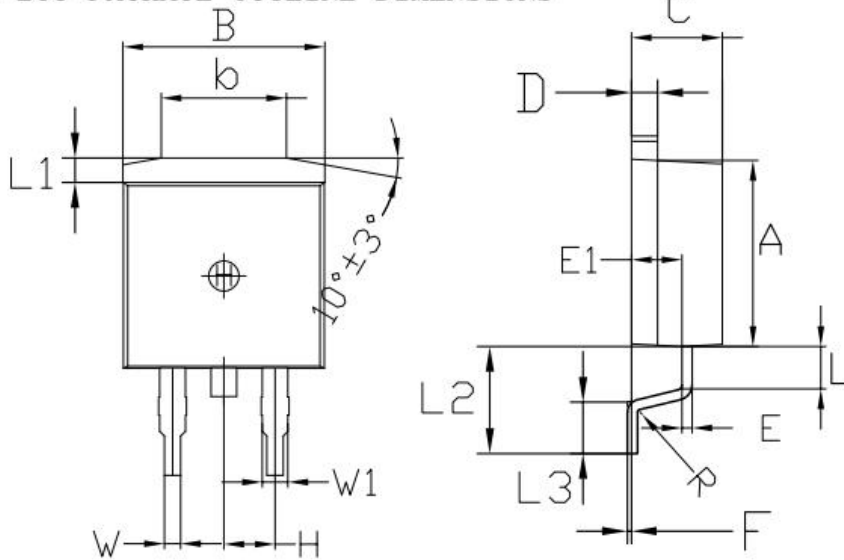
T0-220C PACKAGE OUTLINE DIMENSIONS



Symbol	Dimensions In Millimeters		Dimensions In Inches	
	min.	max.	min.	max.
A	8.80	9.30	0.346	0.366
B	9.70	10.30	0.382	0.406
C	4.25	4.75	0.167	0.187
D	1.20	1.45	0.047	0.057
E	0.40	0.60	0.016	0.024
H	2.54 TYP		0.100 TYP	
W	0.60	0.95	0.024	0.037
W1	1.05	1.45	0.041	0.057
W2	1.20	1.60	0.047	0.063
L	12.60	13.40	0.496	0.528
L1	2.45	2.95	0.096	0.116
L2	3.45	3.95	0.136	0.156
L3	8.15	8.65	0.321	0.341
Φ	3.50	3.90	0.138	0.154

9 Dimensions(continues)

TO-263 PACKAGE OUTLINE DIMENSIONS



Symbol	Dimensions In Millimeters		Dimensions In Inches	
	min.	max.	min.	max.
A	8.80	9.30	0.346	0.366
B	9.70	10.30	0.382	0.406
C	4.25	4.75	0.167	0.187
D	1.20	1.45	0.047	0.057
E	0.40	0.60	0.016	0.024
L	1.90	2.30	0.075	0.091
L1	1.15	1.45	0.045	0.057
R	0.24	0.26	0.0095	0.0102
W	0.80	0.82	0.0315	0.0323
W1	1.20	1.30	0.047	0.051
H	2.54 TYP		0.200 TYP	
b	5.50	6.50	0.216	0.256
E1	2.4	2.6	0.0946	0.1024
L2	5.20	5.80	0.205	0.228
L3	2.20	3.20	0.087	0.126
F	0.03	0.23	0.0012	0.0091

10 Attentions

- Jiangsu Donghai Semiconductor Technology CO.,LTD. reserves the right to change the specification without prior notice! The customer should obtain the latest version of the information before making the order and verify that the information is complete and up to date.
- It is the responsibility of the purchaser for any failure or failure of any semiconductor product under certain conditions. It is the responsibility of the purchaser to comply with safety standards and to take safety measures in the system design and machine manufacturing of Donghai products in order to avoid potential risk of failure. Injury or property damage.
- Product promotion is endless, our company will be dedicated to provide customers with better products.

11 Appendix

Revision history:

Date	REV.	Description	Page
2023.2.1	1.0	Original	11